

DESCRIPTION: MAINTENANCE BYPASS PANEL – 3 CIRCUIT BREAKER

RATING: 208Y/120 VAC
15kVA

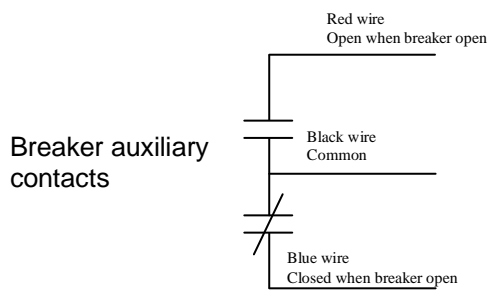
DIMENSIONS: See attached Cutler Hammer drawings.

WEIGHT: See attached Cutler Hammer drawings.

COLOR: ANSI 61 Gray

SUPPLIER: EATON (CUTLER HAMMER)


SCHEMATIC: See attached Cutler Hammer drawings.



EATON				
Description: MAINT BYPASS PNL - 3 CB 15KVA				
Project:		Format: MS Word	Subclass: COMPONENT	
Created By: J HARDY	Creation Date: 30-AUG-2007	Modified By:		Modification Date:
Revision: 1	ECO Number: ECO-0001873	Status: RELEASED	Size: AV	
Object ID: 124100027			Sheet: 1 of 6	
THESE DRAWINGS AND SPECIFICATIONS ARE THE PROPERTY OF EATON CORP. AND SHALL NOT BE REPRODUCED OR COPIED OR USED AS THE BASIS FOR MANUFACTURE OR SALE OF APPARATUS WITHOUT PERMISSION.				

EATON P/N	DESCRIPTION	MAIN BUS RATING (AMP)	NEUTRAL BUS RATING (AMPS)	MIB RATING	MBP RATING	MIS RATING
124100027-001	MBP,3BKR,15 KVA	100	200	60	60	60
124100027-002	MBP,3BKR,15 KVA,TVSS	100	200	60	60	60
124100027-003	MBP,3BKR,15 KVA,PNLBD	100	200	60	60	60
124100027-004	MBP,3BKR,15KVA,TVSS PNLBD	100	200	60	60	60

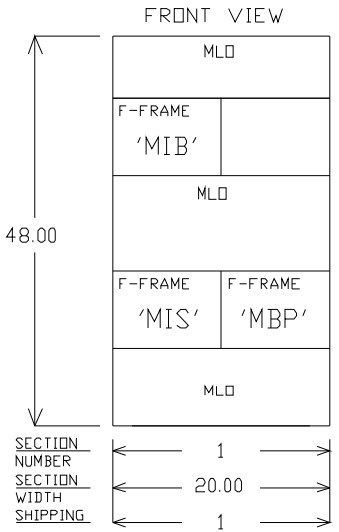
The cabinet must be UL / C-UL Listed in accordance with UL67.

					
Description: MAINT BYPASS PNL - 3 CB 15KVA					
Project:			Format: MS Word	Subclass: COMPONENT	
Created By: J HARDY	Creation Date: 30-AUG-2007		Modified By:		Modification Date:
Revision: 1	ECO Number: ECO-0001873	Status: RELEASED		Size: AV	
Object ID: 124100027				Sheet: 2 of 6	
THESE DRAWINGS AND SPECIFICATIONS ARE THE PROPERTY OF EATON CORP. AND SHALL NOT BE REPRODUCED OR COPIED OR USED AS THE BASIS FOR MANUFACTURE OR SALE OF APPARATUS WITHOUT PERMISSION.					

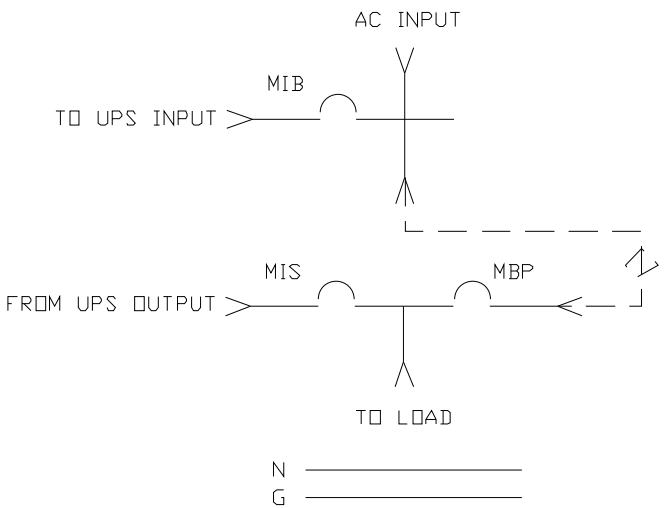
PRL 3A PANELBOARD (WALL MOUNT)
 SERVICE VOLTAGE 208Y/120V 3Ph 4W
 MAIN BUS XXXA NEUTRAL BUS XXXA DENSITY CU BUS
 --> NON SERVICE ENTRANCE
 PANELBOARD CONSTRUCTION MEETS UL-67
 NEMA-1 ENCLOSURE FINISH ANSI-61
 ESTIMATED WEIGHT 300 LBS
 ALL GROUND BAR SUPPLIED AS STANDARD
 PANEL INCLUDES SURFACE MOUNT TRIM DOOR AS STANDARD
 1A/1B AUXILLARY CONTACTS ON MBP BREAKER
 FACTORY CABLED CONNECTION FROM INTERIOR LUGS TO MBP BREAKER USING (1) #1 PER PHASE.

LEGEND	
∨	- TERMINAL(S)
↘ ↙	- CABLE CONNECTED BY FACTORY

TERMINAL WIRE RANGES	
LOAD LUGS 15 kVA	#14 - 1/0
LOAD LUGS 30 kVA	#6 - 300 MCM
BREAKER TERMINALS 15 kVA	#14 - 1/0
BREAKER TERMINALS 30 kVA	#14 - 4/0
NEUTRAL	#6 - 300 MCM
GROUND	#14 - 1/0



ELECTRICAL ONE LINE DIAGRAM



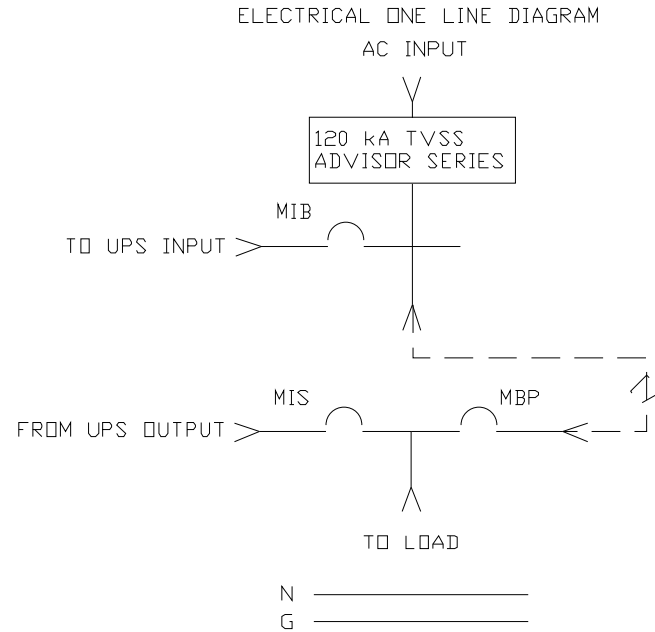
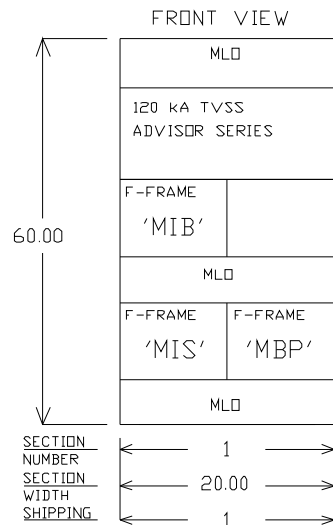
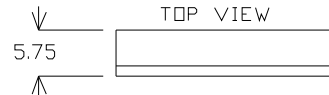
REVISION 1	124100027-001	ORIGINAL BY: EJK	DATE: 01/04/07	Cutler-Hammer RALEIGH SATELLITE		
		APPROVED BY: EJK	DATE: 01/04/07	TITLE: MAINTENANCE BYPASS PANEL EATON CORPORATION		
		CUSTOMER ID:	SHOP ORDER:	TYPE: PRL 3A		
			SIZE: A	FROM NO:	SHEET 1 OF 10	REV 1
				IT 10	ACAD DWG NO 3-BRKR-3A	

Description: MAINT BYPASS PNL - 3 CB 15KVA					
Project:			Format: MS Word	Subclass: COMPONENT	
Created By: J HARDY	Creation Date: 30-AUG-2007		Modified By:		Modification Date:
Revision: 1	ECO Number: ECO-0001873		Status: RELEASED		Size: AV
Object ID: 124100027			Sheet: 3 of 6		
THESE DRAWINGS AND SPECIFICATIONS ARE THE PROPERTY OF EATON CORP. AND SHALL NOT BE REPRODUCED OR COPIED OR USED AS THE BASIS FOR MANUFACTURE OR SALE OF APPARATUS WITHOUT PERMISSION.					

PRL 3A PANELBOARD (WALL MOUNT)
 SERVICE VOLTAGE 208Y/120V 3Ph 4W
 MAIN BUS XXXA NEUTRAL BUS XXXA DENSITY CU BUS
 --> NON SERVICE ENTRANCE
 PANELBOARD CONSTRUCTION MEETS UL-67
 NEMA-1 ENCLOSURE FINISH ANSI-61
 ESTIMATED WEIGHT 350 LBS
 AL GROUND BAR SUPPLIED AS STANDARD
 PANEL INCLUDES SURFACE MOUNT TRIM DOOR AS STANDARD
 1A/1B AUXILLARY CONTACTS ON MBP BREAKER
 FACTORY CABLED CONNECTION FROM INTERIOR LUGS TO MBP BREAKER USING (1) #1 PER PHASE.

LEGEND
 √ - TERMINAL(S)
 ↗ - CABLE CONNECTED BY FACTORY

TERMINAL WIRE RANGES	
LOAD LUGS 15 kVA	#14 - 1/0
LOAD LUGS 30 kVA	#6 - 300 MCM
BREAKER TERMINALS 15 kVA	#14 - 1/0
BREAKER TERMINALS 30 kVA	#14 - 4/0
NEUTRAL	#6 - 300 MCM
GROUND	#14 - 1/0



REVISION 1

124100027-002

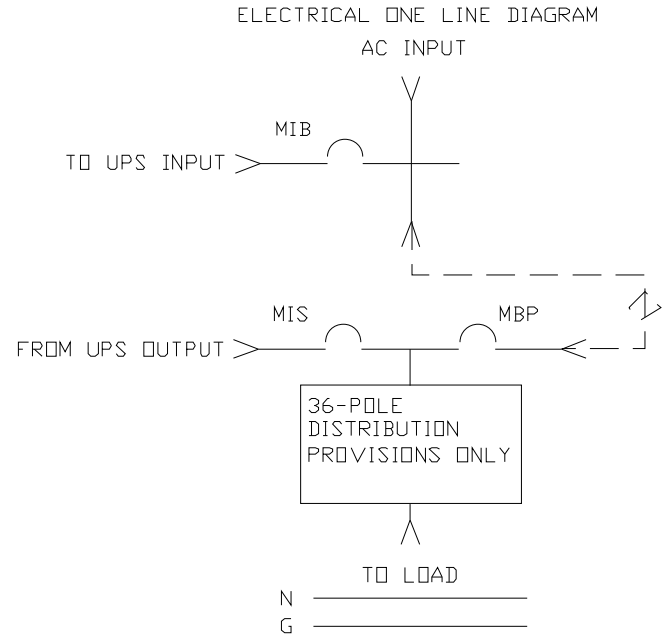
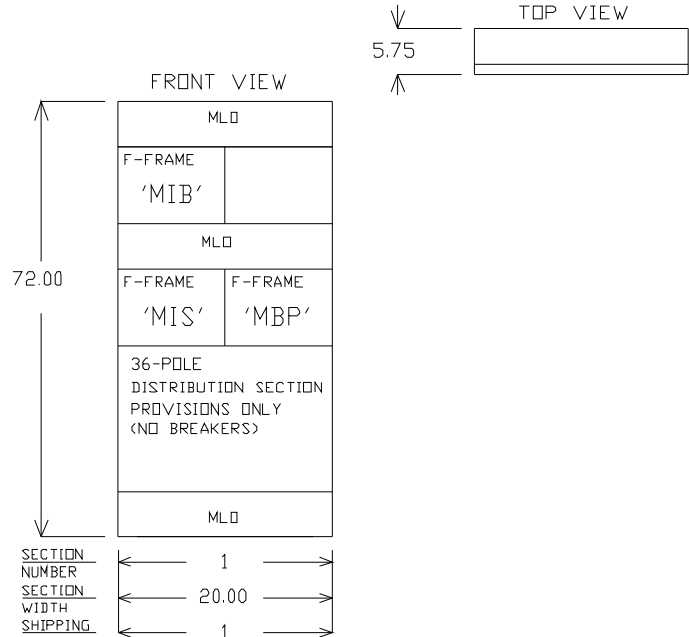
ORIGINAL BY: EJK	DATE: 01/04/07	Cutler-Hammer EATON RALEIGH SATELLITE
APPROVED BY: EJK	DATE: 01/04/07	
TITLE MAINTENANCE BYPASS PANEL EATON CORPORATION		TYPE PRL 3A
CUSTOMER ID:	SHOP ORDER:	
SIZE A	FRSH NO GD	SHEET 1 JT 10
REV 1		ACAD DWG NO 3-BRKR-3A-OPT1

EATON			
Description: MAINT BYPASS PNL - 3 CB 15KVA			
Project:		Format: MS Word	Subclass: COMPONENT
Created By: J HARDY	Creation Date: 30-AUG-2007	Modified By:	Modification Date:
Revision: 1	ECO Number: ECO-0001873	Status: RELEASED	Size: AV
Object ID: 124100027			Sheet: 4 of 6
THESE DRAWINGS AND SPECIFICATIONS ARE THE PROPERTY OF EATON CORP. AND SHALL NOT BE REPRODUCED OR COPIED OR USED AS THE BASIS FOR MANUFACTURE OR SALE OF APPARATUS WITHOUT PERMISSION.			

PRL 3A PANELBOARD (WALL MOUNT)
 SERVICE VOLTAGE 208Y/120V 3Ph 4W
 MAIN BUS XXXA NEUTRAL BUS XXXA DENSITY CU BUS
 --> NON SERVICE ENTRANCE
 PANELBOARD CONSTRUCTION MEETS UL-67
 NEMA-1 ENCLOSURE FINISH ANSI-61
 ESTIMATED WEIGHT 450 LBS
 ALL GROUND BAR SUPPLIED AS STANDARD
 PANEL INCLUDES SURFACE MOUNT TRIM DOOR AS STANDARD
 1A/1B AUXILIARY CONTACTS ON MBP BREAKER
 FACTORY CABLED CONNECTION FROM INTERIOR LUGS TO MBP BREAKER USING (1) #1 PER PHASE.

LEGEND	
∨	- TERMINAL(S)
↘	- CABLE CONNECTED BY FACTORY

TERMINAL WIRE RANGES	
LOAD LUGS 15 kVA	#14 - 1/0
LOAD LUGS 30 kVA	#6 - 300 MCM
BREAKER TERMINALS 15 kVA	#14 - 1/0
BREAKER TERMINALS 30 kVA	#14 - 4/0
NEUTRAL	#6 - 300 MCM
GROUND	#14 - 1/0



REVISION 1

124100027-003

ORIGINAL BY: EJK	DATE: 01/04/07	Cutler-Hammer RALEIGH SATELLITE
APPROVED BY: EJK	DATE: 01/04/07	
TITLE MAINTENANCE BYPASS PANEL EATON CORPORATION		TYPE PRL 3A
CUSTOMER ID	SHOP ORDER:	
SIZE A	FSO# NO	SHEET 1 GO
		REV 1 IT. 10
		ACAD DWG NO 3-BRKR-3A-OPT2

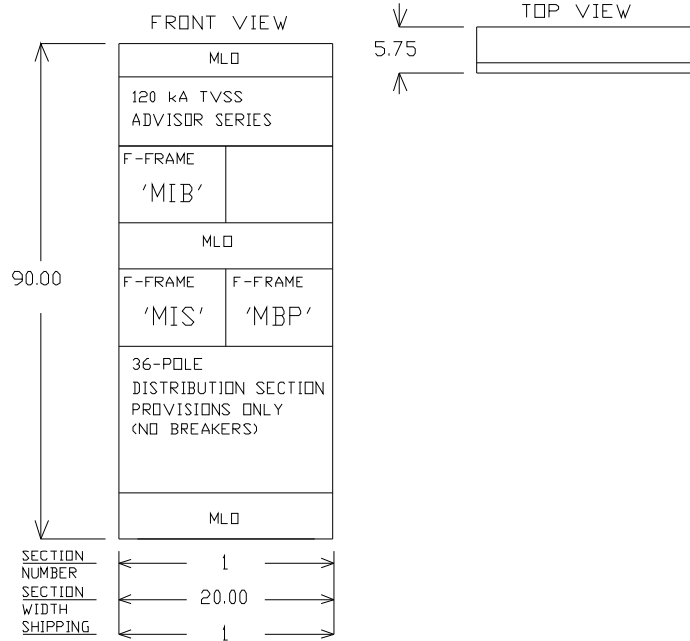
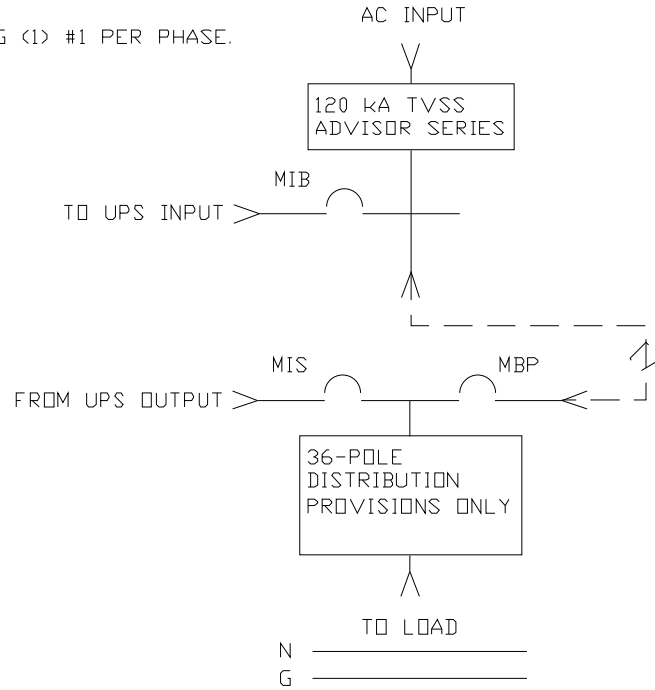
Description: MAINT BYPASS PNL - 3 CB 15KVA			
Project:		Format: MS Word	Subclass: COMPONENT
Created By: J HARDY	Creation Date: 30-AUG-2007	Modified By:	Modification Date:
Revision: 1	ECO Number: ECO-0001873	Status: RELEASED	Size: AV
Object ID: 124100027			Sheet: 5 of 6
THESE DRAWINGS AND SPECIFICATIONS ARE THE PROPERTY OF EATON CORP. AND SHALL NOT BE REPRODUCED OR COPIED OR USED AS THE BASIS FOR MANUFACTURE OR SALE OF APPARATUS WITHOUT PERMISSION.			

PRL 3A PANELBOARD (WALL MOUNT)
 SERVICE VOLTAGE 208Y/120V 3Ph 4W
 MAIN BUS XXXA NEUTRAL BUS XXXA DENSITY CU BUS
 --> NON SERVICE ENTRANCE
 PANELBOARD CONSTRUCTION MEETS UL-67
 NEMA-1 ENCLOSURE FINISH ANSI-61
 ESTIMATED WEIGHT 500 LBS
 ALL GROUND BAR SUPPLIED AS STANDARD
 PANEL INCLUDES SURFACE MOUNT TRIM DOOR AS STANDARD
 1A/1B AUXILLARY CONTACTS ON MBP BREAKER
 FACTORY CABLED CONNECTION FROM INTERIOR LUGS TO MBP BREAKER USING (1) #1 PER PHASE.

LEGEND
 √ - TERMINAL(S)
 \> - CABLE CONNECTED BY FACTORY

TERMINAL WIRE RANGES	
LOAD LUGS 15 kVA	#14 - 1/0
LOAD LUGS 30 kVA	#6 - 300 MCM
BREAKER TERMINALS 15 kVA	#14 - 1/0
BREAKER TERMINALS 30 kVA	#14 - 4/0
NEUTRAL	#6 - 300 MCM
GROUND	#14 - 1/0

ELECTRICAL ONE LINE DIAGRAM



REVISION 1

124100027-004

ORIGINAL BY: EJK	DATE: 01/04/07	Cutler-Hammer RALEIGH SATELLITE
APPROVED BY: EJK	DATE: 01/04/07	
TITLE MAINTENANCE BYPASS PANEL EATON CORPORATION		TYPE PRL 3A
CUSTOMER ID:	SHOP ORDER:	SIZE: A SHEET 1 OF 6 REV 1 JT. 10
		ACAD DWG NO 3-BRKR-3A-OPT3

Description: MAINT BYPASS PNL - 3 CB 15KVA			
Project:		Format: MS Word	Subclass: COMPONENT
Created By: J HARDY	Creation Date: 30-AUG-2007	Modified By:	Modification Date:
Revision: 1	ECO Number: ECO-0001873	Status: RELEASED	Size: AV
Object ID: 124100027			Sheet: 6 of 6
THESE DRAWINGS AND SPECIFICATIONS ARE THE PROPERTY OF EATON CORP. AND SHALL NOT BE REPRODUCED OR COPIED OR USED AS THE BASIS FOR MANUFACTURE OR SALE OF APPARATUS WITHOUT PERMISSION.			